

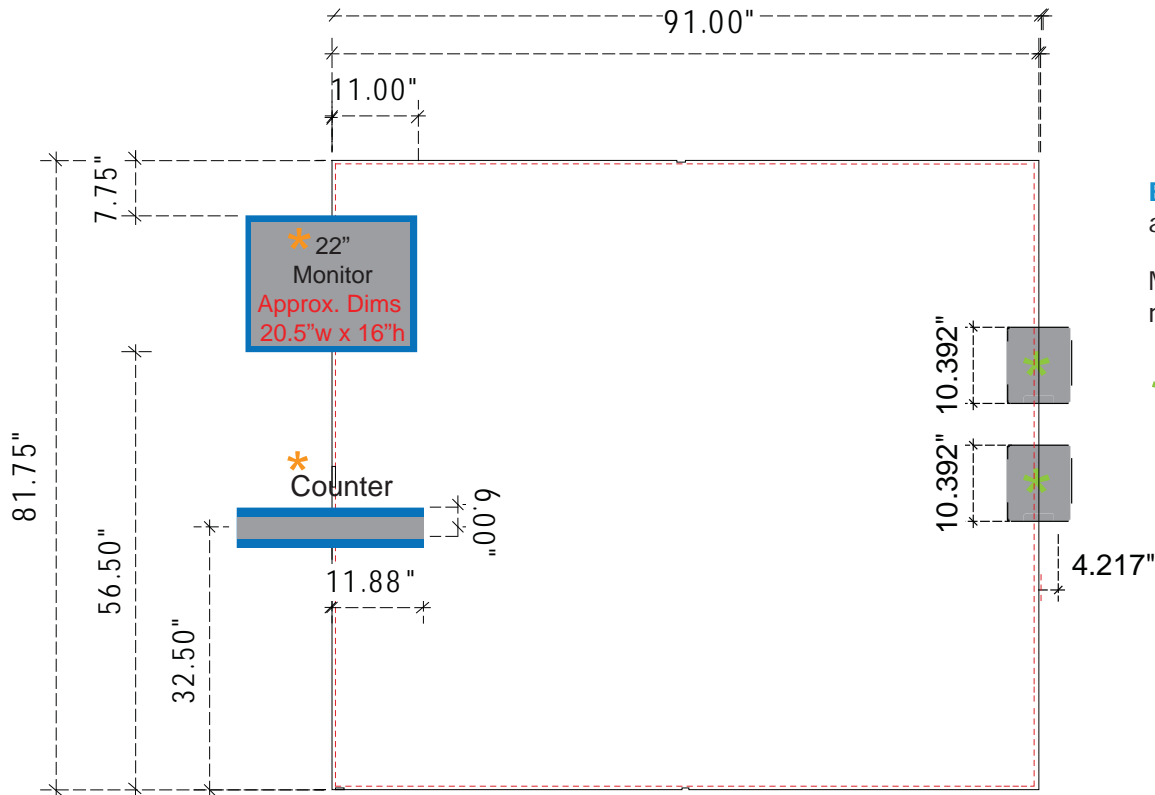
Sew 1/2" hook Velcro into **front perimeter**



NOTE: These dimensions are for graphic layout purposes. Graphic needs to be cut and test fitted to frame.

NOTE: Graphic files must be @ 150 dpi Finished Size. DO NOT send Flattened Files. Production can not manipulate the content, proportion or color of these files.

NOTE: Graphic files must be @ 150 dpi Finished Size.
 DO NOT send Flattened Files. Production can not manipulate the content, proportion or color of these files.



Blue Area indicates 3/4" bleed area around the counter and the monitor

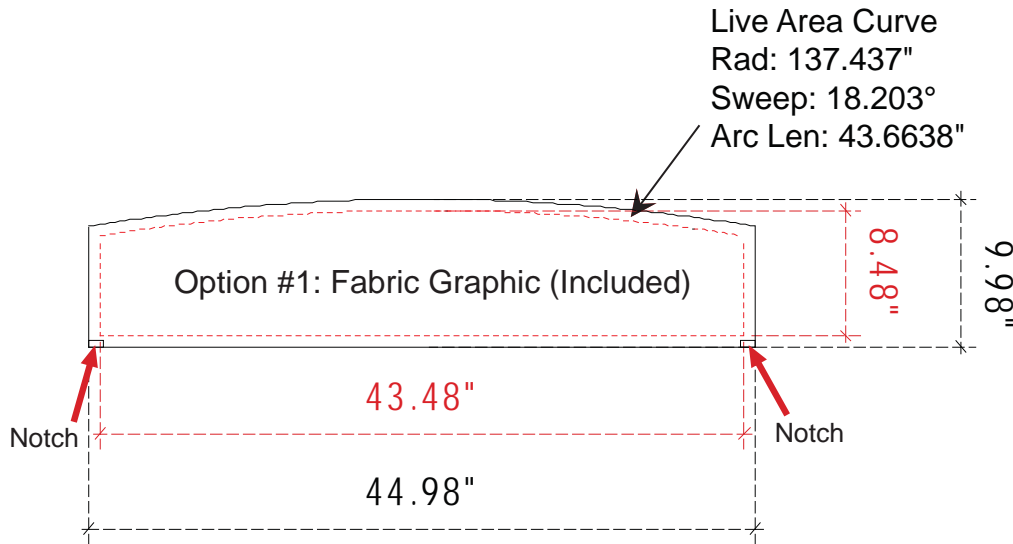
Monitors can be positioned on left or right side of 10ft unit.

* **NOTE:** The height of Literature Racks and Graphic Panels can be adjustable.

NOTE: When adding Monitors and Counters to the Sacagawea unit, portions of the graphic will be covered. Please design graphic layout according to suggested locations.
 -See Header Graphic Dims for header locations.*

NOTE: These dimensions are for graphic layout purposes. Graphic needs to be cut and test fitted to Sacagawea frame.

Header Fabric Graphic

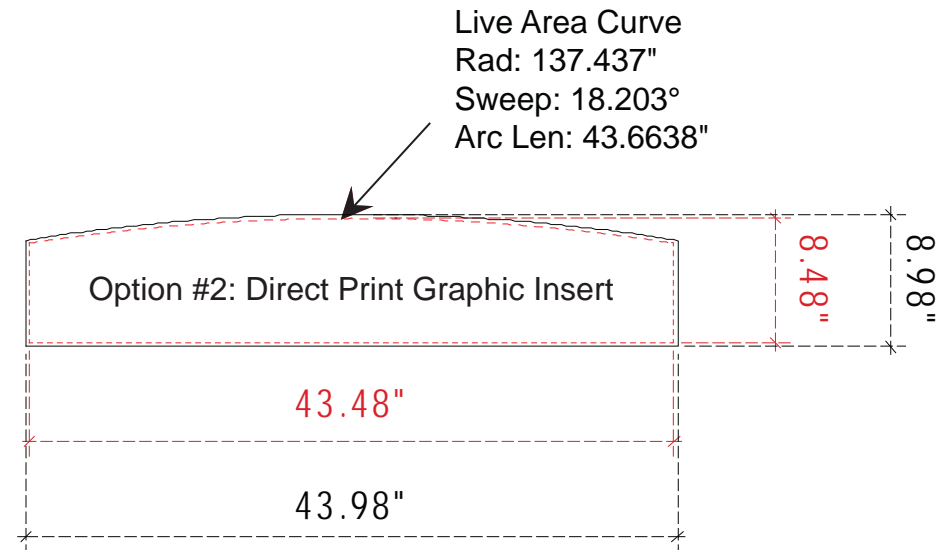


Finished Size: 44.98"w x 9.98"h

Live Area: 43.48"w x 8.48"h

Add 3/4" bleed around perimeter

Sew 1/2" Velcro into front perimeter



Finished Size: 43.98"w x 8.98"h

Live Area: 43.48"w x 8.48"h

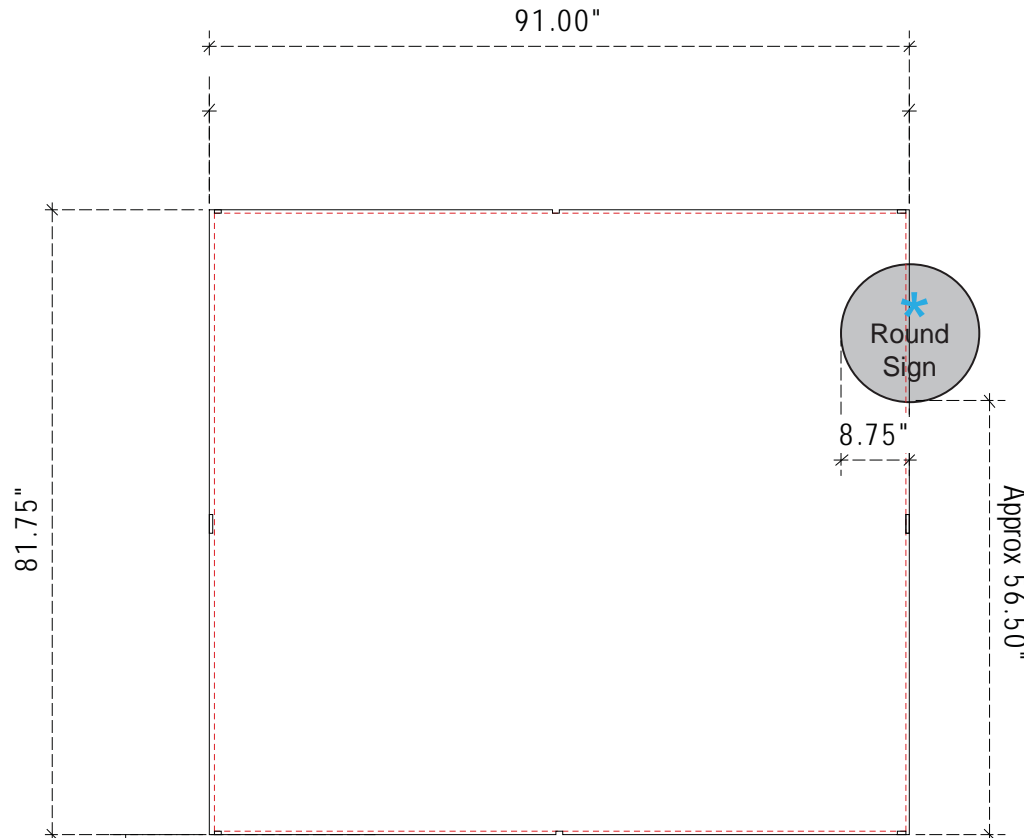
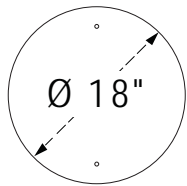
Add 1/4" bleed around perimeter

NOTE: Graphic files must be @ 150 dpi Finished Size. DO NOT send Flattened Files. Production can not manipulate the content, proportion or color of these files.

NOTE: Graphic files must be @ 150 dpi Finished Size.
 DO NOT send Flattened Files. Production can not manipulate
 the content, proportion or color of these files.



1/4" Round Sign



NOTE: When using headers with the Sacagawea unit a portion of the graphic will be covered.
 Please design graphic layout according to desired header shape and location. *

NOTE: These dimensions are for graphic layout purposes.
 Graphic needs to be cut and test fitted to Sacagawea frame.

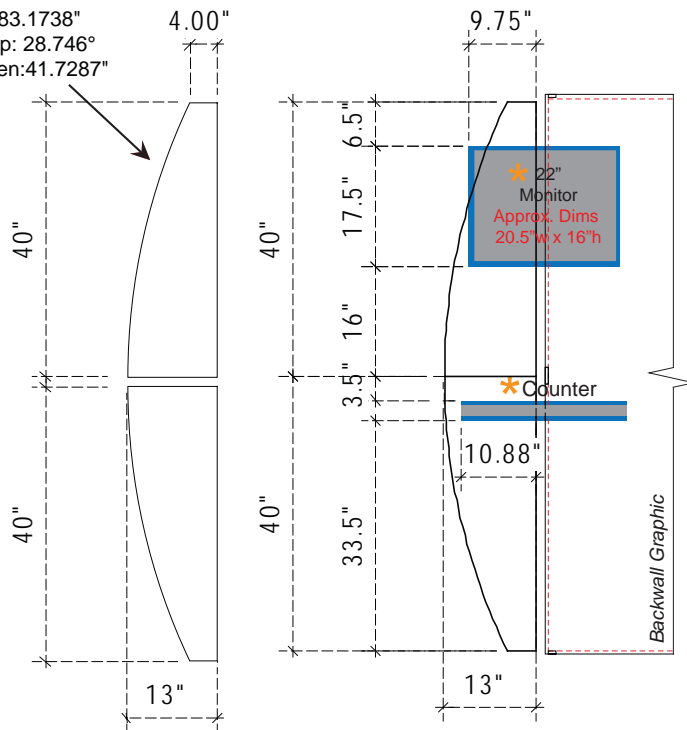
NOTE: A small portion of your graphic(s) may be hidden by accessories, such as headers and monitors. Please use these diagrams to position your graphics correctly.



Convex Wing for T-Series

10' Unit includes (1) Bottom Panel and (1) Upper Panel

Rad: 83.1738"
Sweep: 28.746°
Arc Len: 41.7287"

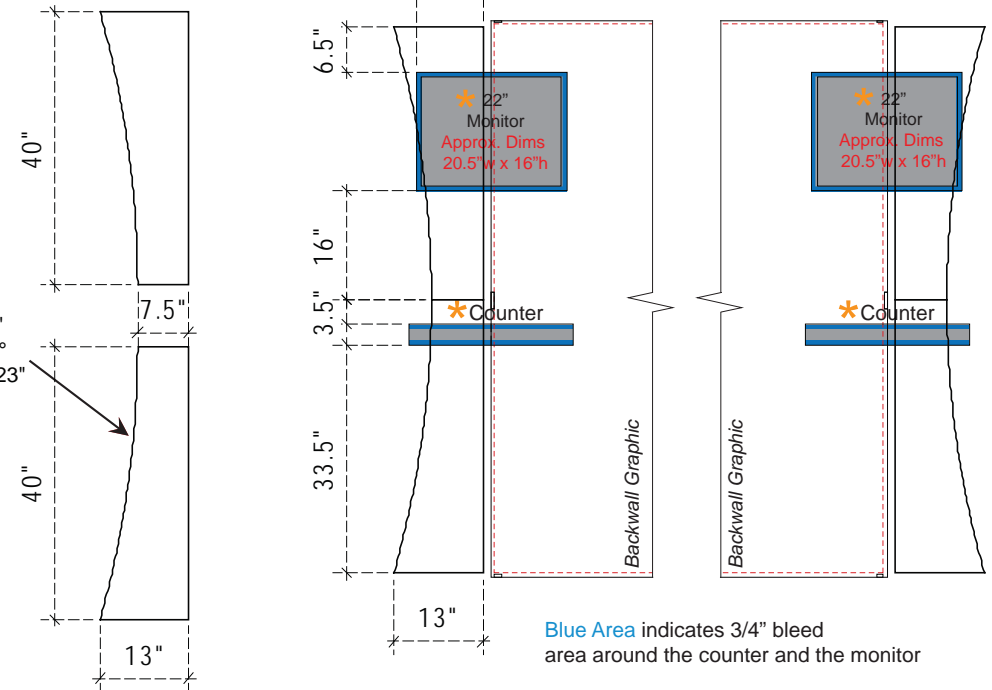


Blue Area indicates 3/4" bleed area around the counter and the monitor

Concave Wing for P-Series

10' Unit includes (2) Bottom Panel and (2) Upper Panel

Rad: 148.2045"
Sweep: 15.658°
Arc Len: 40.5023"

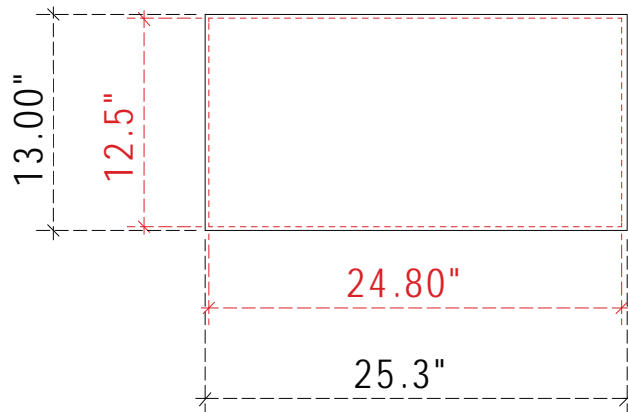


Blue Area indicates 3/4" bleed area around the counter and the monitor

NOTE: Graphic files must be @ 150 dpi
Finished Size. DO NOT send Flattened Files.
Production can not manipulate the content,
proportion or color of these files.



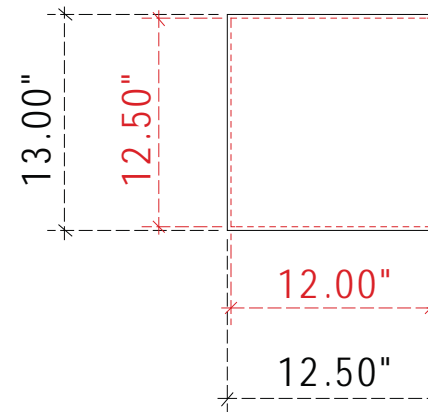
Pedestal Front Insert
Material: 1/8" Sintra



Finished Size: 25.3"w x 13"h
Graphic live area: 24.8"w x 12.5"h

Add 1/4" bleed around perimeter

Pedestal Side Insert
Material: 1/4" Sintra



Finished Size: 12.5"w x 13"h
Graphic live area: 12"w x 12.5"h

Add 1/4" bleed around perimeter