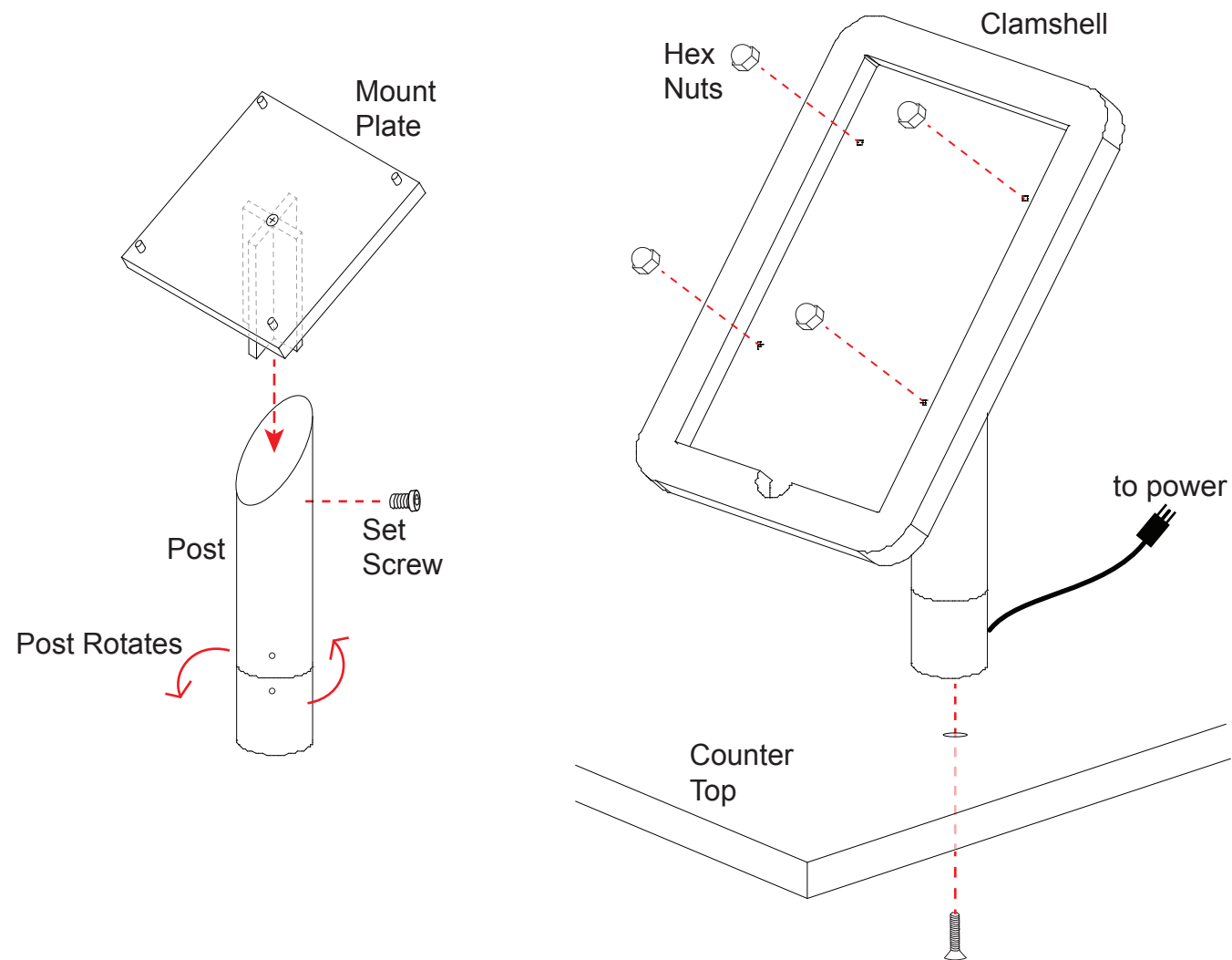
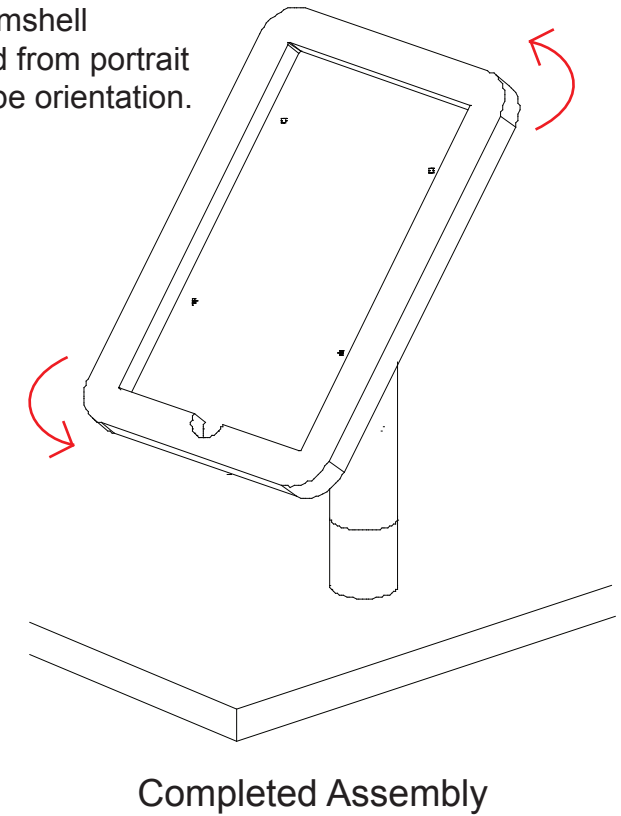


Steps:

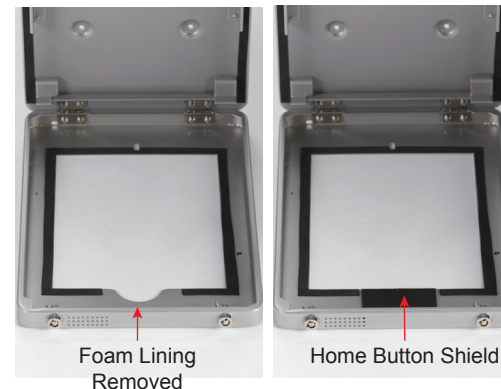
- 1) Attach mount plate to post, using set screw.
NOTE: Mount Plate must rotate to left and right before installing Clamshell.
- 2) Attach post assembly to counter top, using bolt from under counter top.
- 3) Attach clamshell to mount plate, using hex nuts.
- 4) Insert iPad in clamshell, then route cords. See [Cord Management for iPad](#) detail.



Rotate Clamshell to turn iPad from portrait to landscape orientation.

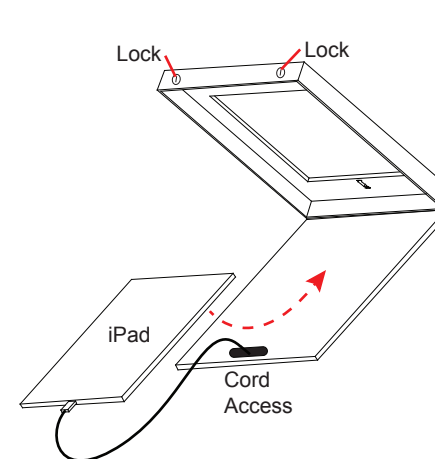


Optional Cover for Home Button



- 1) Remove foam lining from inside bottom of clamshell.
 - 2) Attach Home Button Shield with double-sided tape to inside of clamshell, keeping top of shield flush with clamshell opening.
- NOTE: This is a permanent fix and can't be easily removed.*

Cord Management for iPad



Attach iPad cord to supplied USB extension Cord. Feed USB cord through top hole of post, then out bottom hole of post. Connect to power.

General Setup Instructions

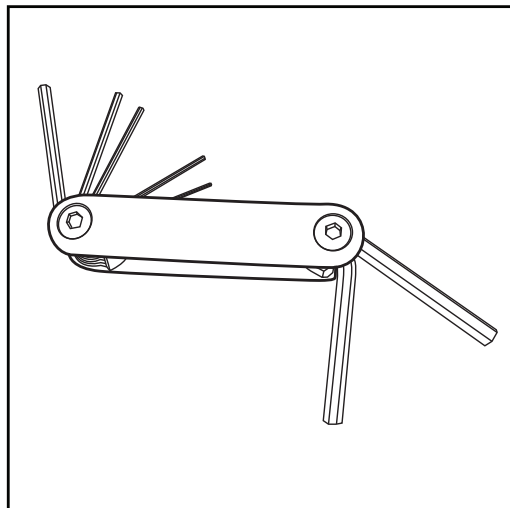
- Read entire setup instruction manual prior to unpacking parts and pieces.
- The setup instructions are created specifically for this configuration.
- Setup instructions are laid out sequentially in steps, including exploded views with detailed explanation for assembly.

Cleaning & Packing

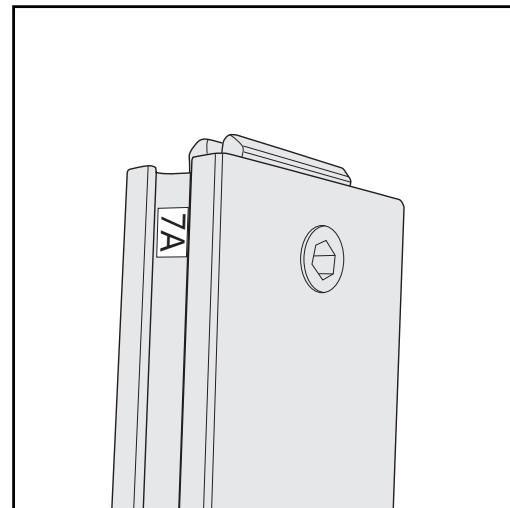
- For Cleaning Metal, Plex, & Laminate Parts: Use a **MILD NON-ABRASIVE** cleanser and soft cloth/paper towel to clean all surfaces.
- Keep exhibit components away from heat and prolonged sun exposure.
Heat and UV exposure will warp and fade components.
- Retain all provided Packing Materials. All provided packing materials are for ease of repacking & component protection.

Disassembly

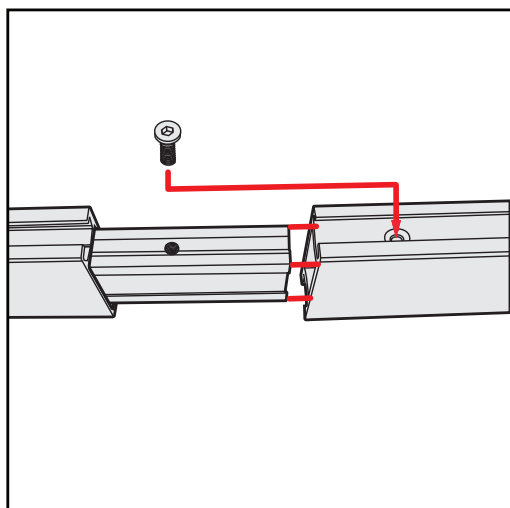
- For loss prevention, tighten all setscrews and locks during disassembly



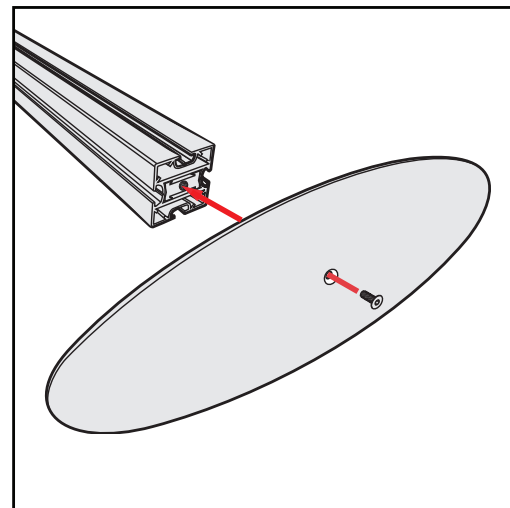
Hex Tool - Essential for Assembly



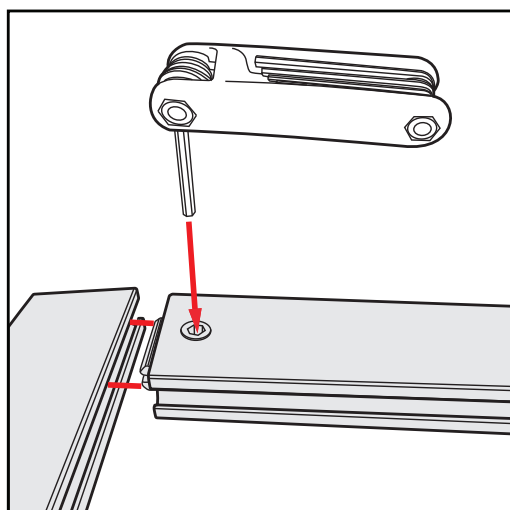
Part Identification - Numbering



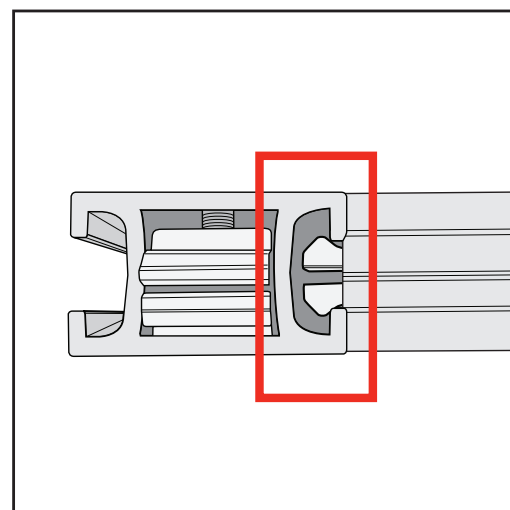
Spline Connection



Base Plate & Extrusion Connection



Extrusion & Lock Connection



Engaged Lock



WARNING



DO NOT USE POWER TOOLS



LADDERS OR LIFTS
MAY BE REQUIRED



ALL CONNECTIONS MUST
BE TIGHTLY SECURED